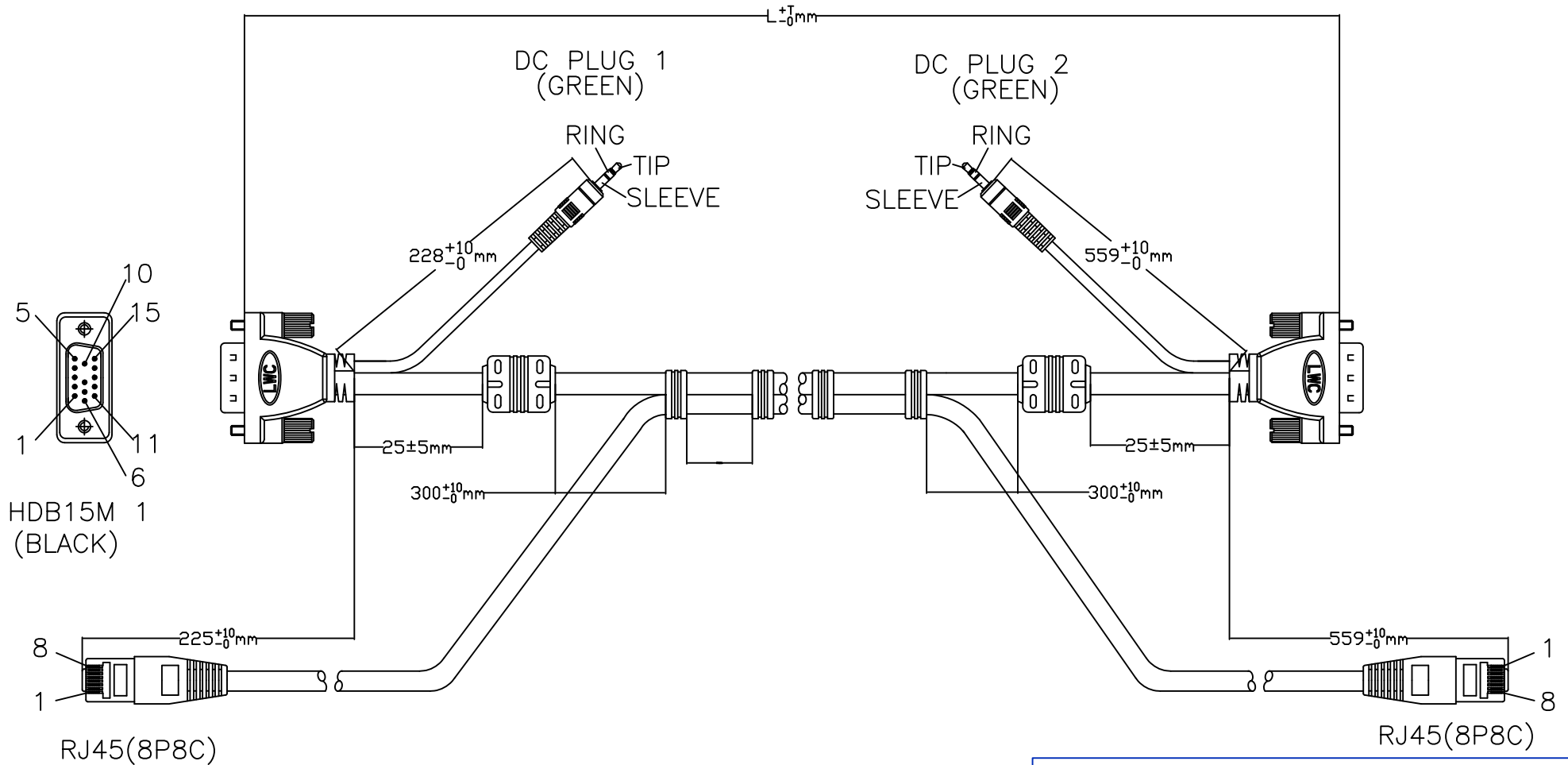


REV	DESCRIPTION	DATE
0	ISSUE	06/10/05

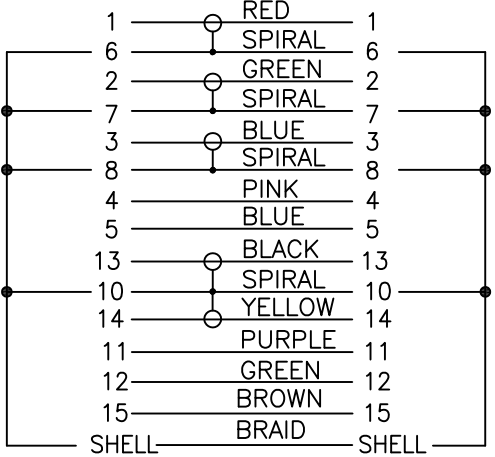


LIBERTY WIRE & CABLE      WWW.LIBERTYCABLE.COM  
 11675 RIDGELINE DRIVE      (800) 530-8998  
 COLORADO SPRINGS, CO 80921

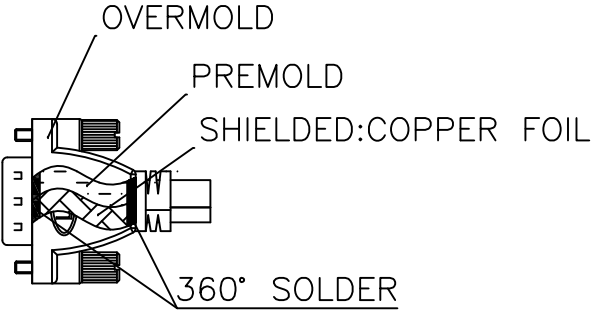
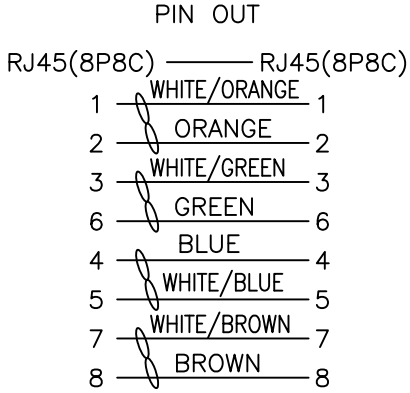
	UNIT:mm	TITLE: Assembly Specification CBL, ASY, VGA	
SCALE	None		
UNLESS OTHERWISE SPECIFIED TOLERANCES: x ±.015    xx ±.010 xxx ±.005    ANGLE ± 1°	PART NUMBER: E-MVGAANM-M-XX		DR.    RP
			CH.    RP
SHEET 1/2	DWG. #: LWC-ASY-00037	AP.    RP	

REV	DESCRIPTION	DATE
0	ISSUE	06/10/05

PIN OUT  
 DC PLUG 1 ——— HDB15M 1 ——— HDB15M 2 ——— DC PLUG 2



TIP ——— WHITE(CABLE 3)&BLACK&GRAY ——— TIP  
 RING ——— RED(CABLE 3)&YELLOW&ORANGE ——— RING  
 SLEEVE ——— SPIRAL(CABLE 3)&WHITE&RED ——— SLEEVE



HDB15 SHIELDED FIG.

LIBERTY WIRE & CABLE      WWW.LIBERTYCABLE.COM  
 11675 RIDGELINE DRIVE      (800) 530-8998  
 COLORADO SPRINGS, CO 80921

UNIT:mm	TITLE:	DR.
SCALE: None	Assembly Specification CBL, ASY, VGA	RP
UNLESS OTHERWISE SPECIFIED TOLERANCES: x ±.015    xx ±.010 xxx ±.005    ANGLE ± 1°	PART NUMBER: E-MVGAANM-M-XX	CH. RP
SHEET 2/2	DWG. #: LWC-ASY-00037	AP. RP

E-MVGAANM-M-25	7620	50
E-MVGAANM-M-12	3658	35
E-MVGAANM-M-06	1830	30
E-MVGAANM-M-03	915	20
P/N.	L(mm)	T(mm)